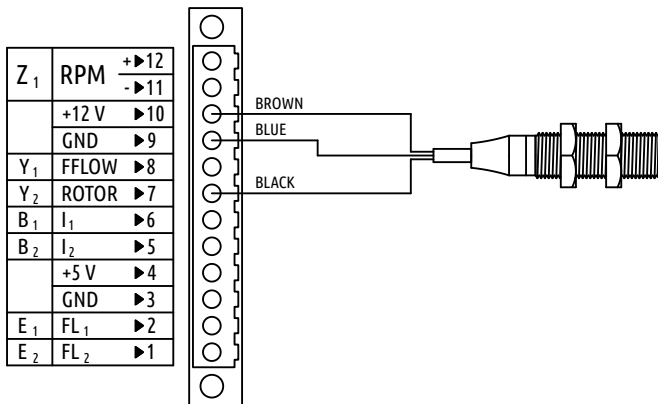


# SPECIFICATION DRAWING

## DAQU CONFIGURATION

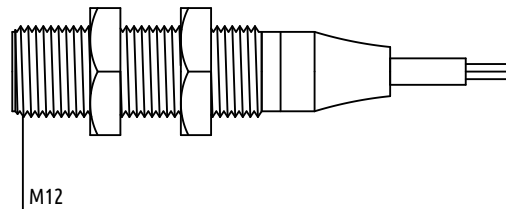
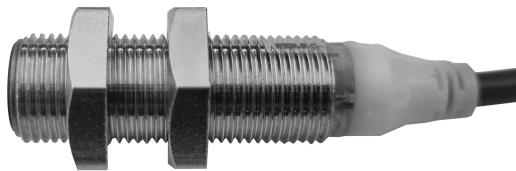


| OPTION      | SELECTION/SETTING   |
|-------------|---------------------|
| CHANNEL     | Y only              |
| FUNCTION    | Rotor RPM           |
| SENSOR      | Digital pulse - NPN |
| REPORT TIME | 0.2 - 0.5 s         |
| FREQUENCY   | 2Hz - 5Hz           |
| FILTER      | about 500ms or 0.5s |
| PULSES      | *                   |
| REDUCTION   | 1.0**               |

\*Pulses are specific for your rotor, check your rotor manual. Example, if your rotor head has X teeth, pulses should be set to X.

\*\*Usually 1.0, but in some cases it may be different.

## PART PHOTO/DRAWING



## SPECIFICATION

|                        |                                  |
|------------------------|----------------------------------|
| WEIGHT                 | 85g                              |
| TEMPERATURE RANGE      | -40 to +70°C/-40 to +158°F       |
| TYPE                   | NPN proximity sensor - inductive |
| VOLTAGE SUPPLY         | 10V ~ 32V                        |
| MAX. OPERATING CURRENT | 200mA                            |
| CABLE LENGTH           | 2m                               |

|   |  |                |  |  |  |
|---|--|----------------|--|--|--|
| PART NAME:                                |  | <b>S-ROTOR</b> |  | You can find this product under part numbers:<br>OMRON E2A-M12KS04-WP-C1 |  |
| FILE NAME: ~/ownCloud/Sensors/S-ROTOR.dxf |  |                |  |  |  |
| TITLE: Rotor RPM                          |  |                |  |  |  |
| A   |  | 10.3.2022      |  | Initial release.   |  |
| REV                                       |  | DATE           |  | DESCRIPTION  |  |
| A   |  | 10.3.2022      |  | Initial release.   |  |
| DRAW BY:                                  |  | CHECK BY:      |  | REV:   |  |
| ŽP  |  | GT             |  | A  |  |
|   |  |                |  | KANARDIA d.o.o.<br>Lopata 24a<br>3000 Celje<br>Slovenia                  |  |