

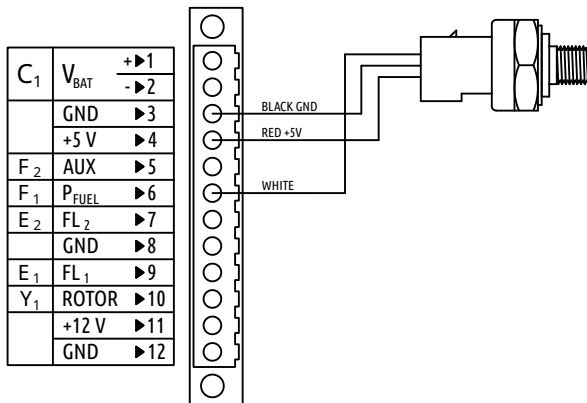
# SPECIFICATION DRAWING

## mini DAQU CONFIGURATION

OPTION	SELECTION/SETTING
CHANNEL	Any E or F
FUNCTION	FUEL P. cmp.*
SENSOR	Active 0.5-4.5V
REPORT TIME	0.5 - 1.0 s
FREQUENCY	1Hz - 2Hz
FILTER	2000ms/2s
MAX VALUE**	10.34 BAR

\*See miniDaqu manual, section 9.2.

\*\*Always enter MAX VALUE in BAR.  
Do not enter PSI value!

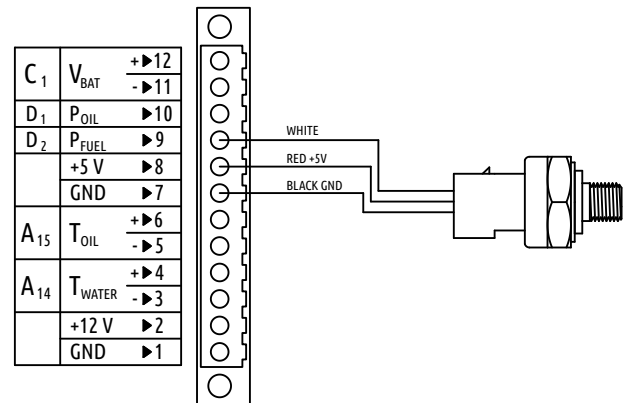


## DAQU CONFIGURATION

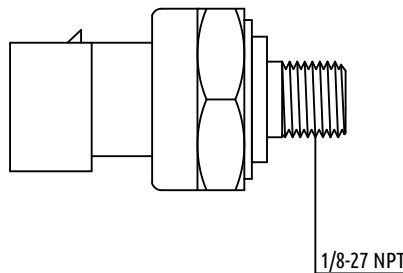
OPTION	SELECTION/SETTING
CHANNEL	Any B,D or E
FUNCTION	FUEL PRESSURE*
SENSOR	Active 0.5-4.5V
REPORT TIME	0.5 - 1.0 s
FREQUENCY	1Hz - 2Hz
FILTER	2000ms/2s
MAX VALUE**	10.34 BAR

\*When Daqu modified for Rotax IS or ULPower is used, then you should set "FUEL P. cmp." option instead.

\*\*Always enter MAX VALUE in BAR.  
Do not enter PSI value!



## PART PHOTO/DRAWING



## SPECIFICATION

WEIGHT	40g
OUTPUT	0.5-4.5V
RANGE	0-150PSI
MAX VALUE(at 4.5V)	150PSI or 10.34BAR
BURST PRESSURE	600PSI or 41BAR
PRINCIPLE	VENTED GAUGE

## NOTES

- Typically used for fuel pressure on injection engines or as an oil pressure on Lycoming, Continental and older Rotax engines (check thread on your Rotax engine).
- NPT threads are NOT self-sealing! Thread sealant must be used!
- Do not overtight or housing may break!

PART NUMBER: <b>S-PR-KAV-10B-NPT</b>	You can also find this product under part numbers: KAVLICO P4055-5025-6
---	--

FILE NAME: ~/Shared/Sensors/S-PR-KAV-10B-NPT.dxf

TITLE: Pressure Sensor 150PSI/10BAR	KANARDIA d.o.o. Lopata 24a 3000 Celje Slovenia
DATE: 10.3.2022	SCALE: N/A
SHEET: 1 of 1	REV: A
DRAW BY: ŽP	CHECK BY: GT

REV	DATE	DESCRIPTION	DR
A	10.3.2022	Initial release.	ŽP