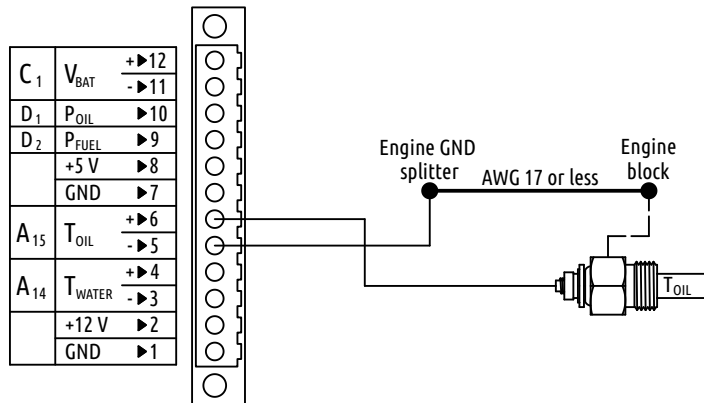


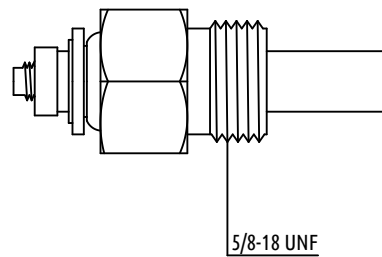
# SPECIFICATION DRAWING

## DAQU CONFIGURATION



OPTION	SELECTION/SETTING
CHANNEL	ANY A, but A13
FUNCTION	OIL TEMP.
SENSOR	DYNON 100409
REPORT TIME	0.5 - 1.0 s
FREQUENCY	1Hz - 2Hz
FILTER	2000ms or 2s

## PART PHOTO/DRAWING



## SPECIFICATION

WEIGHT	48g
TEMPERATURE RANGE	100-240 °F or 38-116 °C
TYPE	Resistive, NTC Thermistor

## STEINHART-HART COEFFICIENTS

$$\frac{1}{T} = a + b \ln R + c(\ln R)^3$$

a	1.63577E-03
b	2.64823E-04
c	-9.94675E-08

T	temperature in °K
R	sensor resistance in Ohm

PART NUMBER: <b>S-OT-DATCON-UNF_5_8</b>		You can also find this product under part numbers: DATCON 02037-00 DYNON 100409-001					
FILE NAME: ~/Shared/Sensors/S-OT-DATCON-UNF_5_8.dxf							
TITLE: Oil Temperature Sensor 5/8-18 UNF			KANARDIA d.o.o. Lopata 24a 3000 Celje Slovenia				
REV	DATE	DESCRIPTION		DR			
A	10.3.2022	Initial release.	ŽP	DATE: 10.3.2022	SCALE: N/A	SHEET: 1 of 1	
				DRAW BY: ŽP	CHECK BY: GT	REV: A	