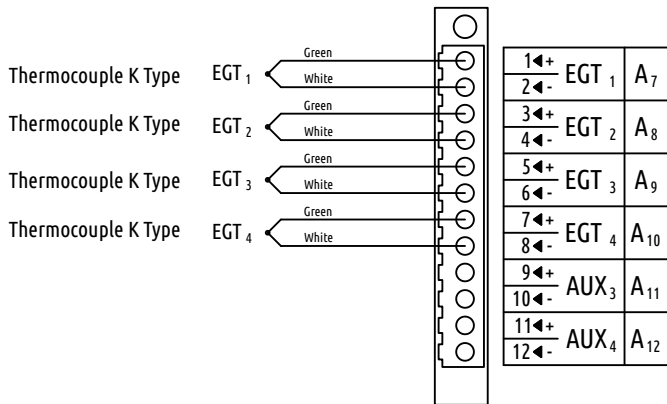


# SPECIFICATION DRAWING

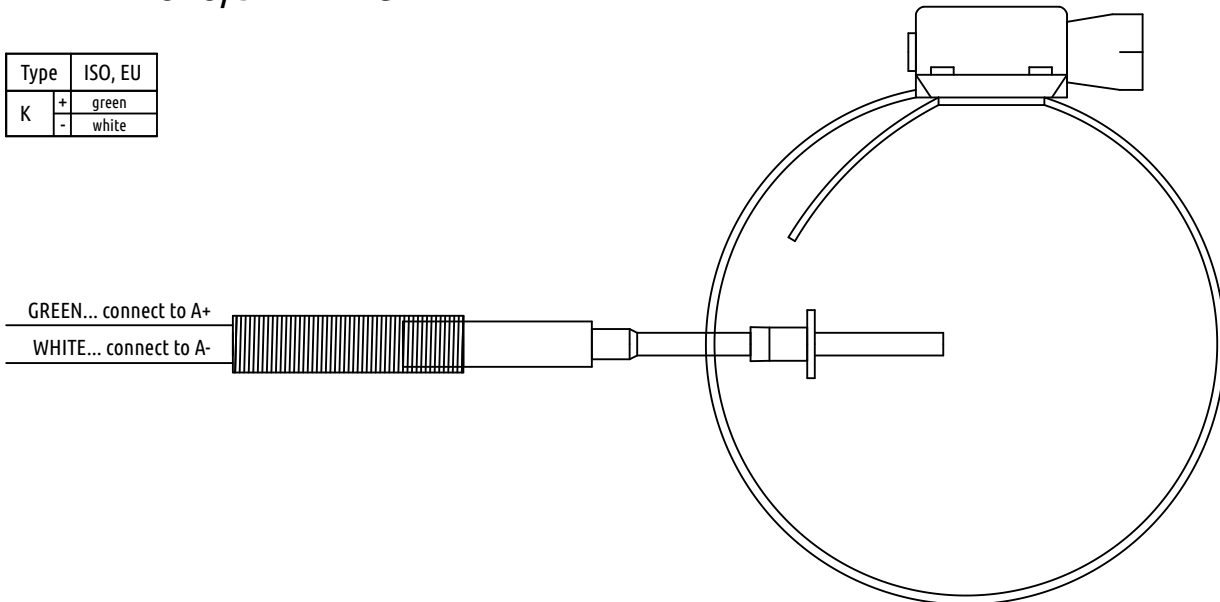
## DAQU CONFIGURATION



OPTION	SELECTION/SETTING
CHANNEL	Any A, but A13
FUNCTION	EGT1, EGT2 ...
SENSOR	K type (NiCr-Ni) class 1
ISOLATED	YES
REPORT TIME	0.5 - 1.0 s
FREQUENCY	1Hz - 2Hz
FILTER	2000ms or 2s

## PART PHOTO/DRAWING

Type	ISO, EU
K	+ green - white



## SPECIFICATION

WEIGHT	70g
TEMPERATURE RANGE	-50 to 1100°C/ 58 to 2012°F
TYPE	Thermocouple K-Type (NiCr-Ni)
CABLE LENGTH	1200mm/47.2inch

## NOTES

- Do not bend! Warranty void when curved.
- Make sure to use a K-Type extension cable if an extension is needed!
- You may cut cable to length.
- Hose clamp width 14mm available in 3 sizes:
  - Rotax 20/32 mm,
  - Jabiru 25/40mm,
  - Lycoming 40/60 mm.

PART NAME: **S-EGT-HC-XX**

FILE NAME: ~/ownCloud/Sensors/S-EGT-HC-XX.dxf

TITLE: Exhaust Gas Temperature Sensor with hose clamps

KANARDIA d.o.o.  
Lopata 24a  
3000 Celje  
Slovenia

REV	DATE	DESCRIPTION	DR
A	10.3.2022	Initial release.	ŽP

DATE:	10.3.2022	SCALE:	N/A	SHEET:	1 of 1
DRAW BY:	ŽP	CHECK BY:	GT	REV:	A