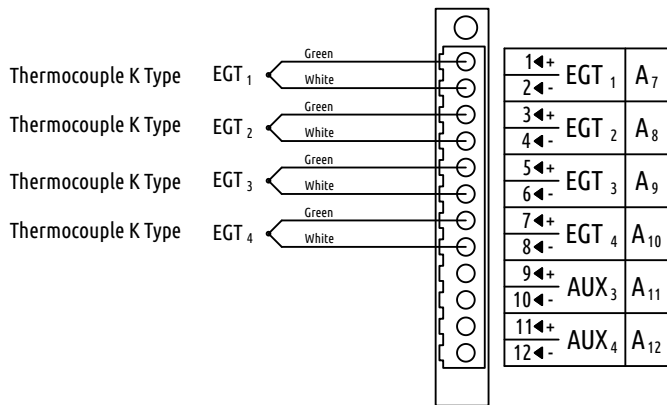


SPECIFICATION DRAWING

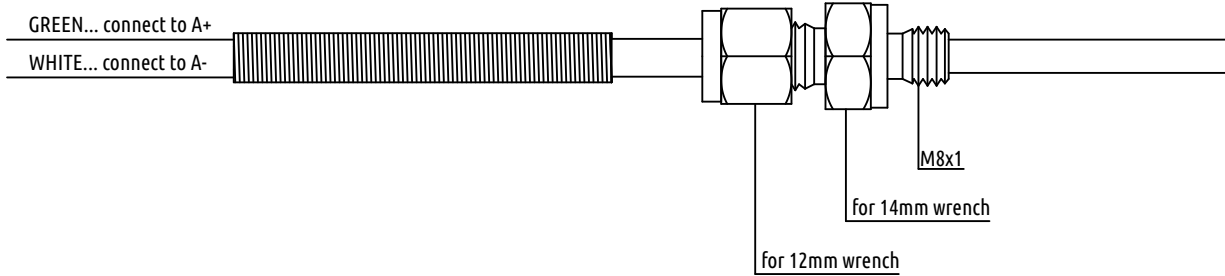
DAQU CONFIGURATION



OPTION	SELECTION/SETTING
CHANNEL	Any A, but A13
FUNCTION	EGT1, EGT2 ...
SENSOR	K type (NiCr-Ni) class 1
ISOLATED	YES
REPORT TIME	0.5 – 1.0 s
FREQUENCY	1Hz - 2Hz
FILTER	2000ms or 2s

PART PHOTO/DRAWING

Type	ISO, EU
K	+ green
	- white



SPECIFICATION

WEIGHT	60g
TEMPERATURE RANGE	-50 to 1100°C/ 58 to 2012°F
TYPE	Thermocouple K-Type (NiCr-Ni)
CABLE LENGTH	1200mm/47.2inch

NOTES

- Do not bend! Warranty void when curved.
- Make sure to use a K-Type extension cable if an extension is needed!
- You may cut cable to length.

PART NUMBER:
S-EGT-BAY

FILE NAME: ~/Shared/Sensors/S-EGT-BAY.dxf

TITLE: Exhaust Gas Temperature Sensor, M8x1, Bayonet

KANARDIA d.o.o.
Lopata 24a
3000 Celje
Slovenia

REV	DATE	DESCRIPTION	DR
A	10.3.2022	Initial release.	ŽP

DATE:	10.3.2022	SCALE:	N/A	SHEET:	1 of 1
DRAW BY:	ŽP	CHECK BY:	GT	REV:	A