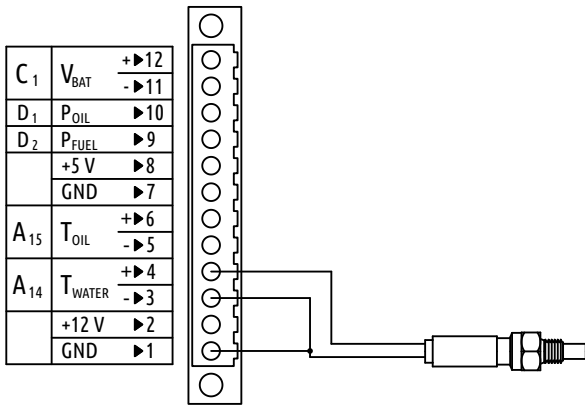


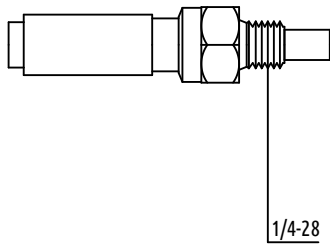
# SPECIFICATION DRAWING

## DAQU CONFIGURATION



OPTION	SELECTION/SETTING
CHANNEL	ANY A, but A13
FUNCTION	CARBURETOR TEMP.
SENSOR	PT1000
REPORT TIME	0.5 - 1.0 s
FREQUENCY	1Hz - 2Hz
FILTER	2000ms or 2s

## PART PHOTO/DRAWING



## SPECIFICATION

WEIGHT	30g
TEMPERATURE RANGE	-50 to +500 °C / -58 to 932°F
TYPE	Resistive, Linear

## NOTES

- NPT threads are NOT self-sealing! Thread sealant must be used!
- Do not overtight or housing may break!

PART NAME:  
**S-CAT**

FILE NAME: ~/Shared/Sensors/S-CAT.dxf

TITLE: Temperature Sensor Carburetor, 1/4-28

KANARDIA d.o.o.  
Lopata 24a  
3000 Celje  
Slovenia

REV	DATE	DESCRIPTION	DR
A	10.3.2022	Initial release.	ŽP

DATE:	10.3.2022	SCALE:	N/A	SHEET:	1 of 1
DRAW BY:	ŽP	CHECK BY:	GT	REV:	A