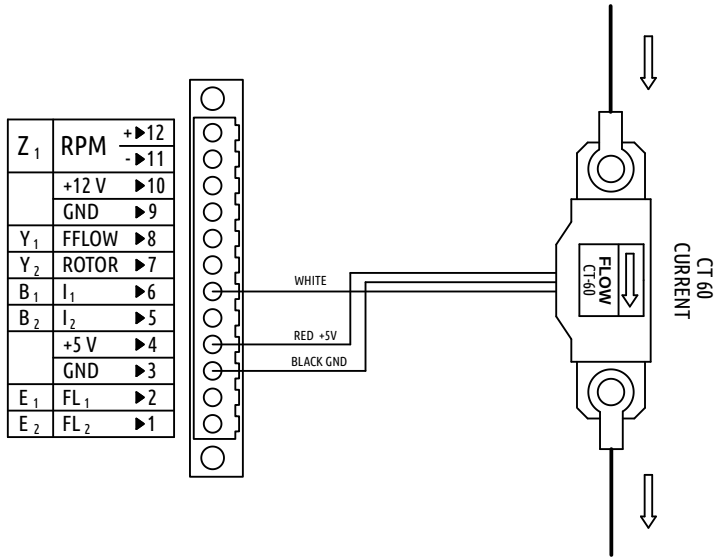


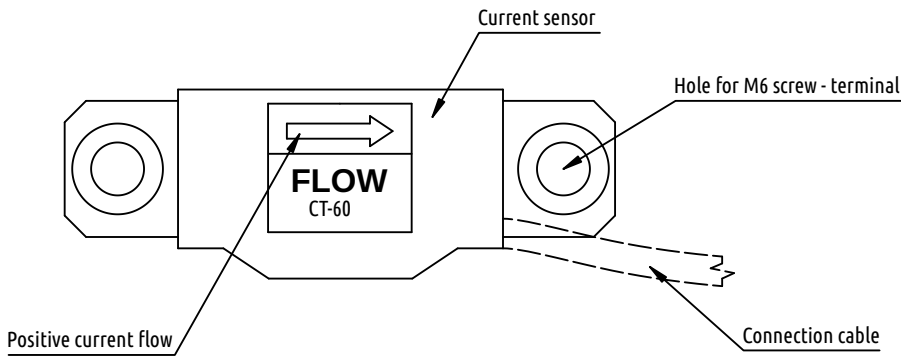
SPECIFICATION DRAWING

DAQU CONFIGURATION



OPTION	SELECTION/SETTING
CHANNEL	Any B, D, E, F
FUNCTION	EL. CURRENT 1/2
SENSOR	Current 60 A
FREQUENCY	1Hz - 2Hz
REPORT TIME	0.5 - 1.0 s
FILTER	2000ms/2s

PART PHOTO/DRAWING



SPECIFICATION

WEIGHT	47g
DIMENSIONS	69x18.5x18mm
CONTINUOUS CURRENT	-/+60A
MAX BURST CURRENT	100A/100ms
VOLTAGE	up to 100V

OUTPUT SIGNAL

NO CURRENT	2.5V
MAX NEGATIVE CURRENT (-64A)	0.5V
MAX POSITIVE CURRENT (+64A)	4.5V
GAIN	32A per V

PART NAME: **CT-60**

FILE NAME: ~/Shared/Sensors/CT60.dxf

TITLE: Current Transducer 60A

KANARDIA d.o.o.
Lopata 24a
3000 Celje
Slovenia

REV	DATE	DESCRIPTION	DR
A	10.3.2022	Initial release.	ŽP

DATE: 10.3.2022
DRAW BY: ŽP

SCALE: N/A
CHECK BY: GT

SHEET: 1 of 1
REV: A