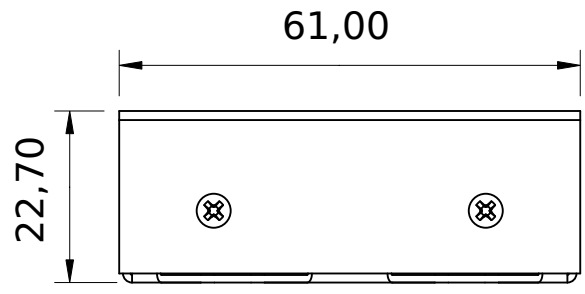
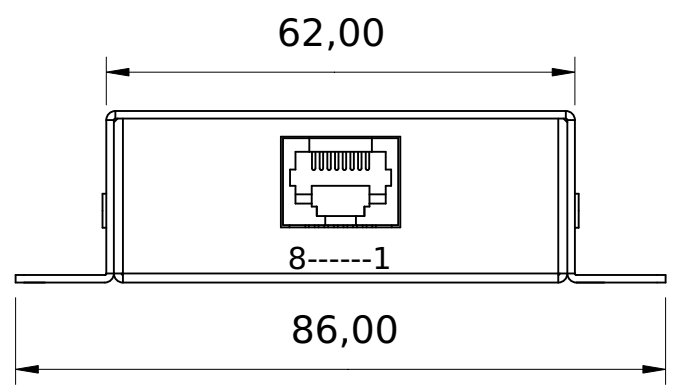
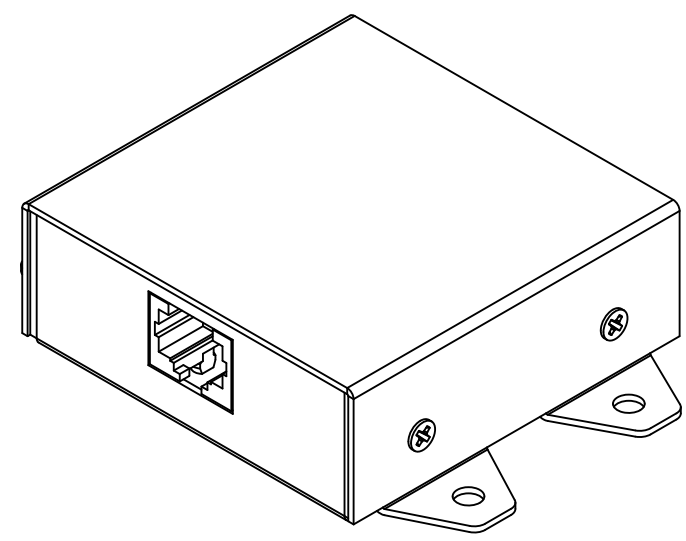
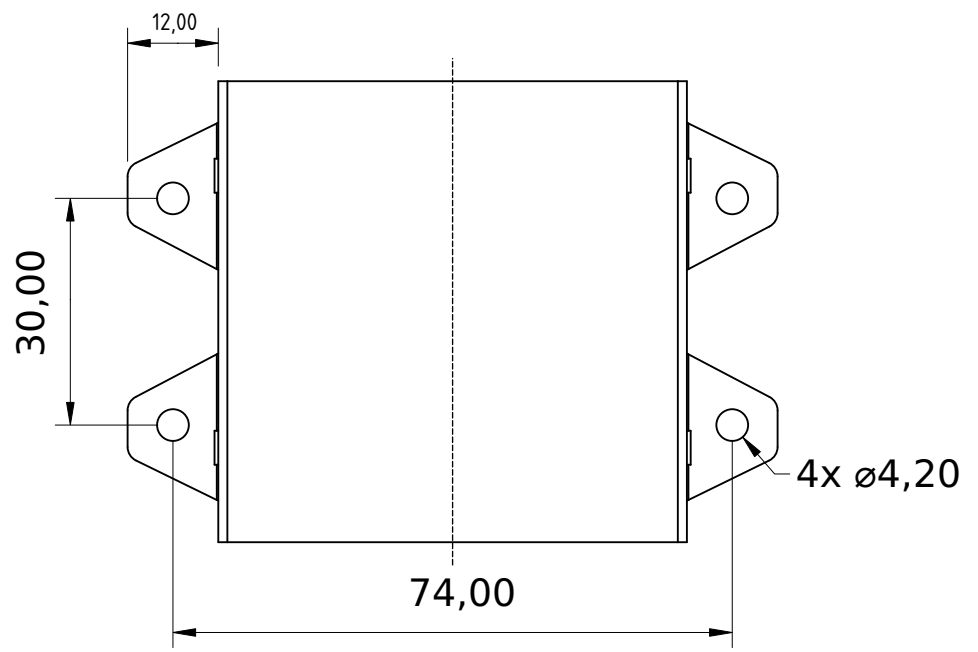


F E D C B A



PINOUT:
 1, 2, 3 - Power(+12V)
 4 - CAN Low
 5 - CAN High
 6, 7, 8 - GND



WARNING:
 This is magnetic sensitive device.
 Do not use any ferrous material for mounting.
 Place at least 30cm away from any ferrous material.

DESIGNED BY: Kanardia d.o.o.		Magu		G	-
DATE: 01.08.2019		Outline and Installation		F	-
SIZE A4				E	-
SCALE 1:1	WEIGHT (kg) 58g	DRAWING NUMBER 1	SHEET 1	D	-
This drawing is our property; it can't be reproduced or communicated without our written consent.				C	-
				B	-
				A	-

F E D

4
3
2
1

4
3
2
1