

UPSL — Manual

Kanardia d.o.o.

March 2018



© Kanardia d.o.o.

Revision 1.1

Contact Information

Publisher and producer:

Kanardia d.o.o.

Lopata 24a

SI-3000

Slovenia

Tel: +386 40 360 512

Email: info@kanardia.eu

A lot of useful and recent information can be also found on the Internet. See <http://www.kanardia.eu> for more details.

Copyright

This document is published under the *Creative Commons, Attribution-ShareAlike 3.0 Unported* licence. Full license is available on <http://creativecommons.org/licenses/by-sa/3.0/legalcode> web page and a bit more human readable summary is given on <http://creativecommons.org/licenses/by-sa/3.0/>. In short, the license gives you right to copy, reproduce and modify this document if:

- you cite Kanardia d.o.o. as the author of the original work,
- you distribute the resulting work only under the same or similar license to this one.

Credits

This document was written using TeTeX (L^AT_EX) based document creation system using Kile running on Linux operating system. Most of the figures were drawn using Open Office Draw and Inkscape applications. Photos and scanned material was processed using Gimp. All document sources are freely available on request under the licence mentioned above and can be obtained by email. Please send requests to info@kanardia.eu.

Revision History

The following table shows the revision history of this document.

Rev.	Date	Description
1.0	June 2016	Initial release
1.1	March 2018	New hardware version

Contents

1	Introduction	4
1.1	Safety Precautions	4
1.1.1	Warning	4
1.1.2	Caution	4
1.2	General Description	4
1.3	Technical Specification	4
1.4	Operation	5
1.5	Battery Characteristic	5
2	Installation & Maintenance	6
2.1	Before Installation	6
2.2	Installation Considerations	7
2.3	Mounting Dimensions	7
2.4	Connections	7
2.4.1	Power Input (1)	7
2.4.2	Power Output (2)	8
2.4.3	Switch (3)	8
2.5	Operation Indication	8
2.5.1	Charge Status (4)	8
2.5.2	Output Status (5)	9
2.6	Maintenance	9
2.7	Repair	9
3	Limited Conditions	10
3.1	Two Years Warranty	10
3.2	TSO Information — Limited Operation	11

1 Introduction

First of all, we would like to thank you for purchasing our device. UPSL is uninterruptible power supply for Kanardia devices¹. The device provides electrical power to connected instruments in case of electrical system malfunction (low battery, generator fault, etc.) so that the pilot can safely land the aircraft.

This manual describes the technical description of the unit, installation and operation.

1.1 Safety Precautions

UPSL device consists of Li-Ion battery. Same safety principals as with the Li-Ion battery applies to the device (extracted from battery datasheet).

1.1.1 Warning

- Do not immerse the device in water or any other liquid.
- Do not place the device near any heat source or direct sunlight.
- Do not connect the device to voltages other than specified in the manual.
- Do not discard the device in fire or heater.
- Do not strike, throw or trample the device.

1.1.2 Caution

- Do not use or leave the device at very high temperature conditions (for example, strong direct sunlight, extremely hot conditions). Otherwise it can overheat, fire or its performance will degenerate and its service life will be decreased.
- Do not place it in a location near strong electrostatic and magnetic field sources, otherwise the battery internal safety mechanisms might be damaged.
- If the battery leaks and the electrolyte gets into the eyes do not wipe eyes, instead rinse the eyes with clean running water and immediately seek medical attention. Otherwise, eyes injury can result.

1.2 General Description

UPSL is an electronic device. It consists of single-cell Lithium-Ion battery, charge control electronics and step-up output voltage converter. Electronics has three primary functions; charging the internal battery, monitoring the input voltage level and boosting output voltage level. If input voltage level drops bellow 11.5 V the electronics automatically switches output to internal battery without disrupting the electrical power to connected devices.

1.3 Technical Specification

Table 1 shows some basic technical specification of UPSL.

¹ Not suitable for NESIS, AETOS and SERU.

Description	Value
Weight	120 g (cca 230 g with cables and switch)
Size	81 × 69 × 32 mm
Input voltage	6 to 32 V
Input power (max)	6 W
Input current (max)	500 mA at 12 V 250 mA at 24 V
Output voltage	11 V
Output power (max)	3.85 W
Output current (max)	350 mA at 11 V
Operating temperature	-5 °C to +60 °C
Humidity	30 % to 90 %, non condensing
Battery	Li-Ion, 3.7 V, 2250 mAh, 8.33 Wh

Table 1: Basic technical specifications.

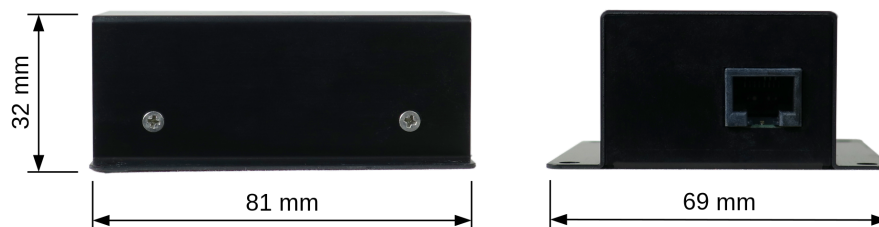


Figure 1: Front and side view of the UPSL with its principal dimensions.

1.4 Operation

Device operates in four modes: standby, charging, idle and emergency. Transition between modes is automatical, depending on various parameters.

- **Standby Mode** – Switch is set to ‘inactive/off’ position. Internal battery is disconnected from electronics. Both indication LEDs are unilluminated.
- **Charging Mode** – Switch is set to ‘active/on’ position, input voltage level is higher than 11.5 V. Electronics charges internal battery, input voltage is switched directly to output. Charge status LED is illuminated red, output status LED is unilluminated.
- **Idle Mode** – Switch is set to ‘active/on’ position, internal battery is fully charged and input voltage level is above 11.5 V. Electronics switches input voltage directly to output and monitors internal battery voltage level. Charge status LED is illuminated green, output status LED is unilluminated.
- **Emergency Mode** – Switch is set to ‘active/on’ position, input voltage level is below 11.5 V. Electronics switches the output to internal voltage booster, supplied from internal battery. Charge status LED is unilluminated, output status LED is illuminated green.

1.5 Battery Characteristic

Figure 2 shows battery characteristic for different loads. Table 2 shows minimal autonomy time for some Kanardia devices. Note: all measurements were performed at 20 °C and 50 %

humidity level. When device is used in environments with temperature below 5 °C or above 40 °C, battery performance and autonomy time might be reduced significantly.

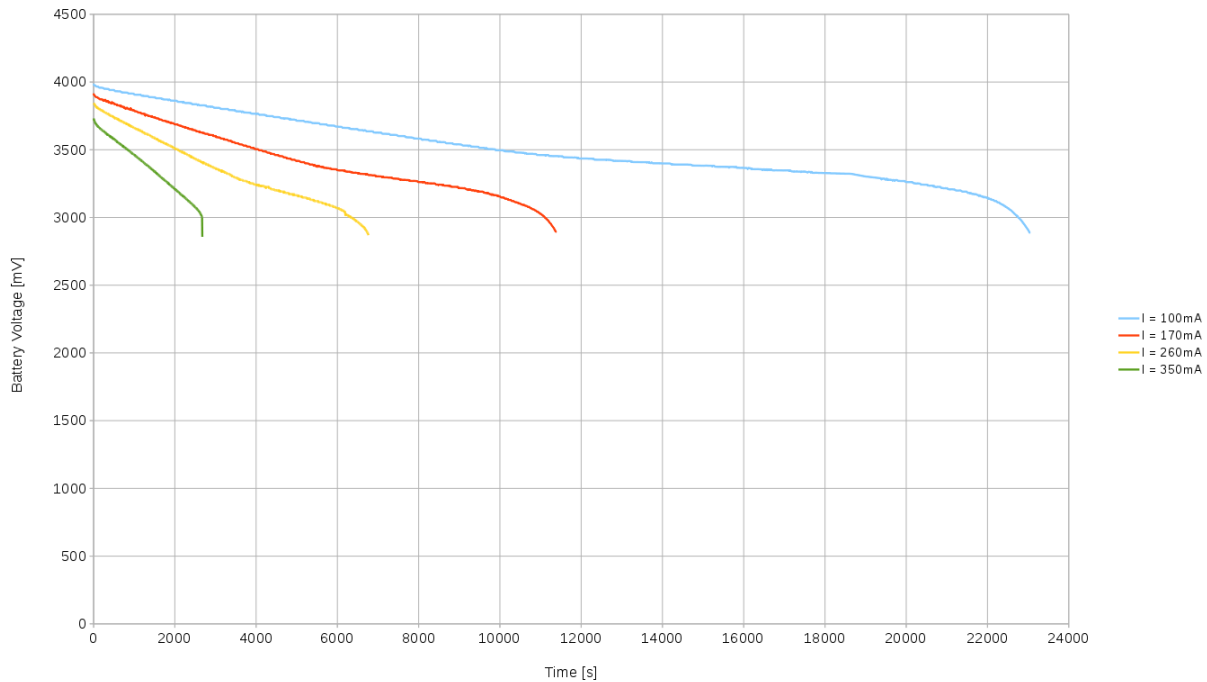


Figure 2: UPSL battery characteristic.

Device	Autonomy ²
INDU (one unit)	270 min
INDU DIGI with DAQU	100 min
INDU kit	45 min
EMSIS 3.5 AHRS	170 min
EMSIS 80 mm AHRS	230 min
EMSIS 3.5 with DAQU	110 min
EMSIS 80 mm with DAQU	130 min
Horis 57 mm	190 min
Horis 80 mm	110 min

Table 2: Minimal autonomy time for Kanardia devices.

2 Installation & Maintenance

2.1 Before Installation

UPSL is shipped with semi-charged internal battery. Before installation, the device shall be connected to external 12 V power supply or battery for 8 hours to fully charge it's internal battery (refer to section 2.6 for detailed procedure).

² Autonomy at maximum brightness settings.

2.2 Installation Considerations

Some extra care shall be considered when installing the UPSL into the aircraft due to it's specific characteristics.

Do not mount UPSL and it's cables near:

- Any heat source
- Radio, transponder or other EMI sensitive device
- Antenna or antenna cable

2.3 Mounting Dimensions

The device is mounted using four screws type M4. It is highly recommended that the device is mounted using rubber shocks (rubber washers), which reduce the vibrations. Figure 3 illustrates the mounting holes for the device.

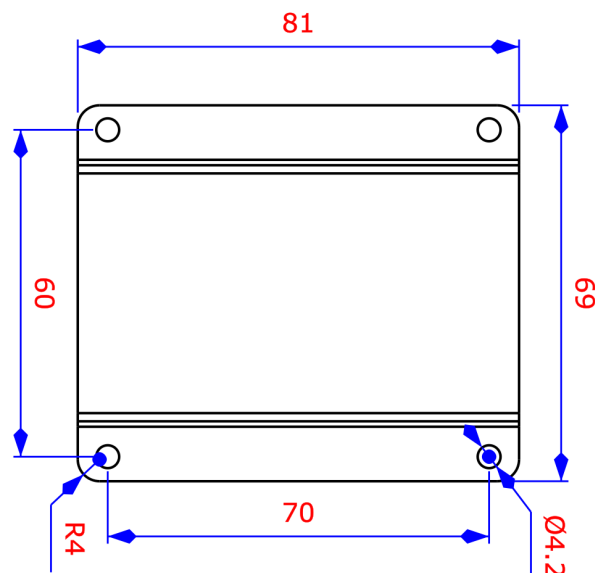


Figure 3: Device mounting holes. Note: Figure is not in scale.

2.4 Connections

Figure 4 illustrates all connections, located on left and right sides of the device.

2.4.1 Power Input (1)

Connect the supplied input cable and switch to 'Power Input' connector (refer to Figure 5). Connect the blue lead to negative (ground) terminal and red lead to positive (+12 to +24 V) terminal via 1.5 A slow fuse.

Route power cables away from antennas and antenna cables.

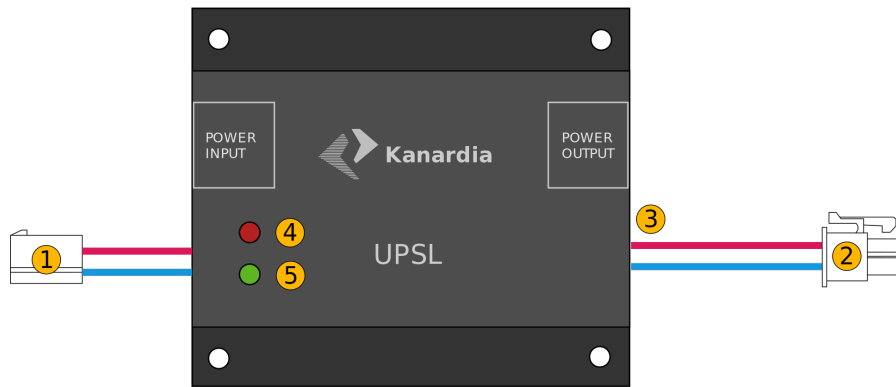


Figure 4: Connections and indications.

2.4.2 Power Output (2)

Connect the Kanardia devices to ‘Power Output’ connector with supplied cable. The connector has a notch on one side, which protects from wrong orientation.

Route power cables away from antennas and antenna cables.

2.4.3 Switch (3)

Connect the switch and UPSL with supplied cable. Refer to Figure 5 for proper connection.

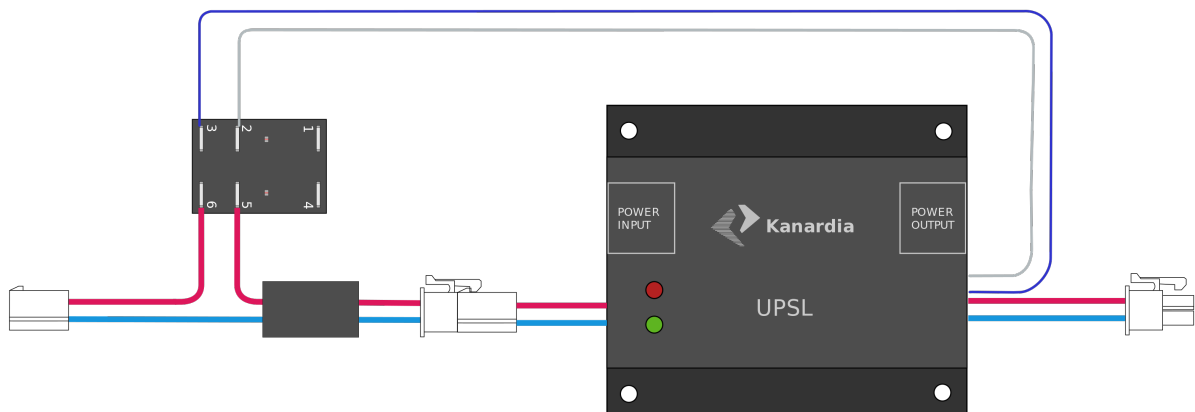


Figure 5: Wiring diagram.

2.5 Operation Indication

Device consists of two indication LEDs (refer to figure 4).

2.5.1 Charge Status (4)

Charge status LED indicates backup battery charger status:

- Red: Charging.
- Green: Charge complete.

- Amber: Charging fault.

2.5.2 Output Status (5)

Output status LED (green) is illuminated when the output power is delivered from UPSL internal backup battery. When aircraft system bus power is in use (normal operation), the LED is not illuminated.

2.6 Maintenance

In order to extend UPSL internal battery service life its charging current is limited. Due to that limitation it takes about 8 hours to fully charge discharged internal battery.

The device shall be connected to external 12 V power supply or battery to charge it on following occasions:

- Before installation
- When aircraft was not operated for more than 60 days
- After electrical system failure event (generator failure, battery failure, etc.)

2.7 Repair

UPSL has no serviceable parts inside. In the case of malfunction, it must be sent to Kanardia for a repair.

3 Limited Conditions

Although a great care was taken during the design, production, storage and handling, it may happen that the Product will be defective in some way. Please read the following sections about the warranty and the limited operation to get more information about the subject.

3.1 Two Years Warranty

Kanardia d.o.o. warrants the Product manufactured by it against defects in material and workmanship for a period of twenty-four (24) months from retail purchase.

Warranty Coverage

Kanardia's warranty obligations are limited to the terms set forth below:

Kanardia d.o.o. warrants the Kanardia-branded hardware product will conform to the published specification when under normal use for a period of twenty-four months (24) from the date of retail purchase by the original end-user purchaser ("Warranty Period"). If a hardware defect arises and a valid claim is received within the Warranty Period, at its option and as the sole and exclusive remedy available to Purchaser, Kanardia will either (1) repair the hardware defect at no charge, using new or refurbished replacement parts, or (2) exchange the product with a product that is new or which has been manufactured from new or serviceable used parts and is at least functionally equivalent to the original product, or, at its option, if (1) or (2) is not possible (as determined by Kanardia in its sole discretion), (3) refund the purchase price of the product. When a refund is given, the product for which the refund is provided must be returned to Kanardia and becomes Kanardia's property.

Exclusions and Limitations

This Limited Warranty applies only to hardware products manufactured by or for Kanardia that have the "Kanardia" trademark, trade name, or logo affixed to them at the time of manufacture by Kanardia. The Limited Warranty does not apply to any non-Kanardia hardware products or any software, even if packaged or sold with Kanardia hardware. Manufacturers, suppliers, or publishers, other than Kanardia, may provide their own warranties to the Purchaser, but Kanardia and its distributors provide their products *AS IS*, without warranty of any kind.

Software distributed by Kanardia (with or without the Kanardia's brand name including, but not limited to system software) is not covered under this Limited Warranty. Refer to the licensing agreement accompanying such software for details of your rights with respect to its use.

This warranty does not apply: (a) to damage caused by use with non-Kanardia products; (b) to damage caused by accident, abuse, misuse, flood, fire, earthquake or other external causes; (c) to damage caused by operating the product outside the permitted or intended uses described by Kanardia; (d) to damage caused by service (including upgrades and expansions) performed by anyone who is not a representative of Kanardia or an Kanardia Authorized Reseller; (e) to a product or part that has been modified to significantly alter functionality or capability without the written permission of Kanardia; (f) to consumable parts, such as batteries, unless damage has occurred due to a defect in materials or workmanship; or (g) if any Kanardia serial number has been removed, altered or defaced.

To the extent permitted by applicable law, this warranty and remedies set forth above are exclusive and in lieu of all other warranties, remedies and conditions, whether oral or written, statutory, express or implied, including, without limitation, warranties of merchantability, fitness for a particular purpose, non-infringement, and any warranties against hidden or latent defects. If Kanardia cannot lawfully disclaim statutory or implied warranties then to the extent permitted by law, all such warranties shall be limited in duration to the duration of this express warranty and to repair or replacement service as determined by Kanardia in its sole discretion. Kanardia does not warrant that the operation of the product will be uninterrupted or error-free. Kanardia is not responsible for damage arising from failure to follow instructions relating to the product's use. No Kanardia reseller, agent, or employee is authorized to make any modification, extension, or addition to this warranty, and if any of the foregoing are made, they are void with respect to Kanardia.

Limitation of Liability

To the extent permitted by applicable law, Kanardia is not responsible for indirect, special, incidental or consequential damages resulting from any breach of warranty or condition, or under any other legal theory, including but not limited to loss of use; loss of revenue; loss of actual or anticipated profits (including loss of profits on contracts); loss of the use of money; loss of anticipated savings; loss of business; loss of opportunity; loss of goodwill; loss of reputation; loss of, damage to or corruption of data; or any other loss or damage howsoever caused including the replacement of equipment and property, any costs of recovering, programming, or reproducing any program or data stored or used with Kanardia products and any failure to maintain the confidentiality of data stored on the product. Under no circumstances will Kanardia be liable for the provision of substitute goods or services. Kanardia disclaims any representation that it will be able to repair any product under this warranty or make a product exchange without risk to or loss of the programs or data. Some jurisdictions do not allow for the limitation of liability for personal injury, or of incidental or consequential damages, so this limitation may not apply to you.

3.2 TSO Information — Limited Operation

This product is not TSO approved as a flight instrument. Therefore, the manufacturer will not be held responsible for any damage caused by its use. The Kanardia is not responsible for any possible damage or destruction of any part on the airplane caused by default operation of instrument.